

# Swaybar-h/duty Blade adjustable

**Application:**

Replacement kit Blade adjustable front swaybar to suit:  
 - Nissan Skyline R31 86-89 sedan wagon (excl. GTS coupe)  
 Always refer to current catalogue for complete application listing.

**Specifications:**

27mm 3-way Blade adjustable replacement kit swaybar

**Contents:**

- 1 x swaybar
- 2 x swaybar mount D-bush
- 2 x single eye endlink (with bushes and crush tubes)
- 4 x endlink bush, square shoulder
- 2 x bolt M10 x 50mm long
- 2 x bolt M10 x 70mm long
- 4 x nut M10 nyloc
- 4 x nut M10
- 4 x washer, M10 saucer
- 2 x washer M10 flat (small)
- 2 x washer M10 flat (large)
- 2 x spacer disc
- 1 x grease sachet

**Fitting Instructions:**

Please read complete fitting instructions and check kit components prior to fitment. These instructions are to be used in conjunction with workshop manual. It is recommended that all work be carried out by a qualified technician. Installation of this product must be done at normal ride height and is best done with the vehicle on a drive-on hoist / lift or ramps.

1. Remove front swaybar endlinks.
2. Undo chassis mounts, and remove swaybar.
3. Apply grease to the inside of poly D-bushes and fit onto the swaybar.
4. Position swaybar in place and attach to the chassis using original mounting brackets and bolts.
5. Attach new endlinks to the swaybar and control arm, following the points below:

For EARLY production models, as shown in Fig. 2  
 (width between eyelet holes 990mm):

- (a) Use short M10 x 50mm bolts.
- (b) Discard spacer discs.
- (c) Attach endlink directly to the outside of the swaybar.

For LATE production models, as shown in Fig. 3  
 (width between eyelet holes 1020mm):

- (a) Use long M10 x 70mm bolts.
- (b) Use spacer discs.
- (c) Attach endlink on the outside of the swaybar with the spacer disc between the swaybar and endlink.

**Caution** Do not over tighten sway bar link bushes. Nuts should be tightened until washer meets the bush & stops rotating. Then tighten a further 2/3 of a turn. Over tightening compresses and pre-loads the polyurethane bush which reduces the flexibility and may cause failure.

Refer to Fig. 1 for swaybar adjustment guide.

6. Tighten all nuts and bolts.
7. Check & re-tension all fittings again after 100km's but no more than 200km's.

For noise and friction free operation, carry out periodic inspections and maintain proper bush lubrication.

**Warning:** Please drive carefully while you accustom yourself to the changed vehicle behaviour.

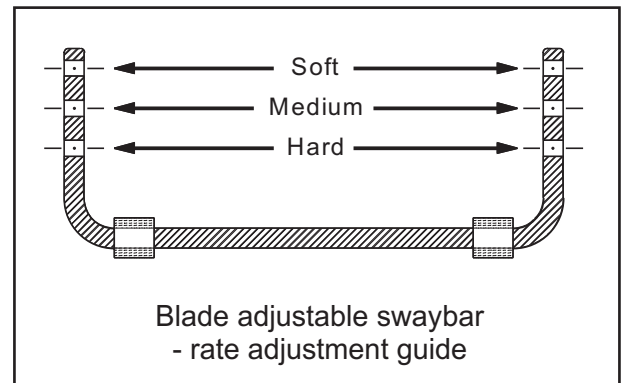


Fig 1.

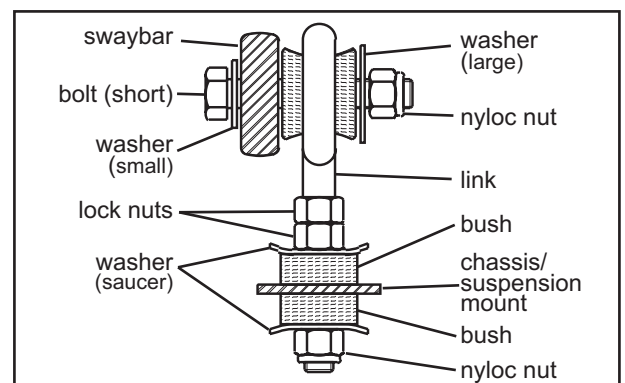


Fig 2 - EARLY production, without spacer.

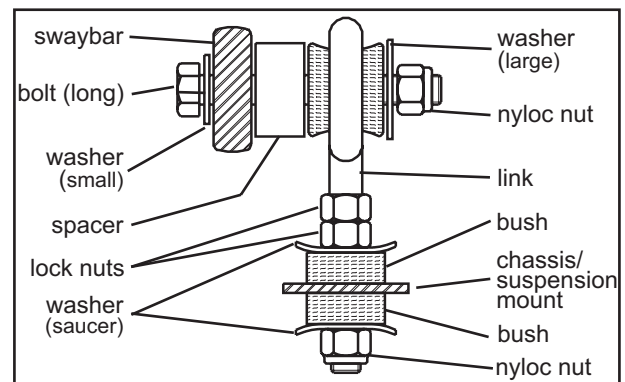


Fig 3 - LATE production, with spacer.



Fig 4 - complete assembly, LATE model shown.