

## Installation Guide

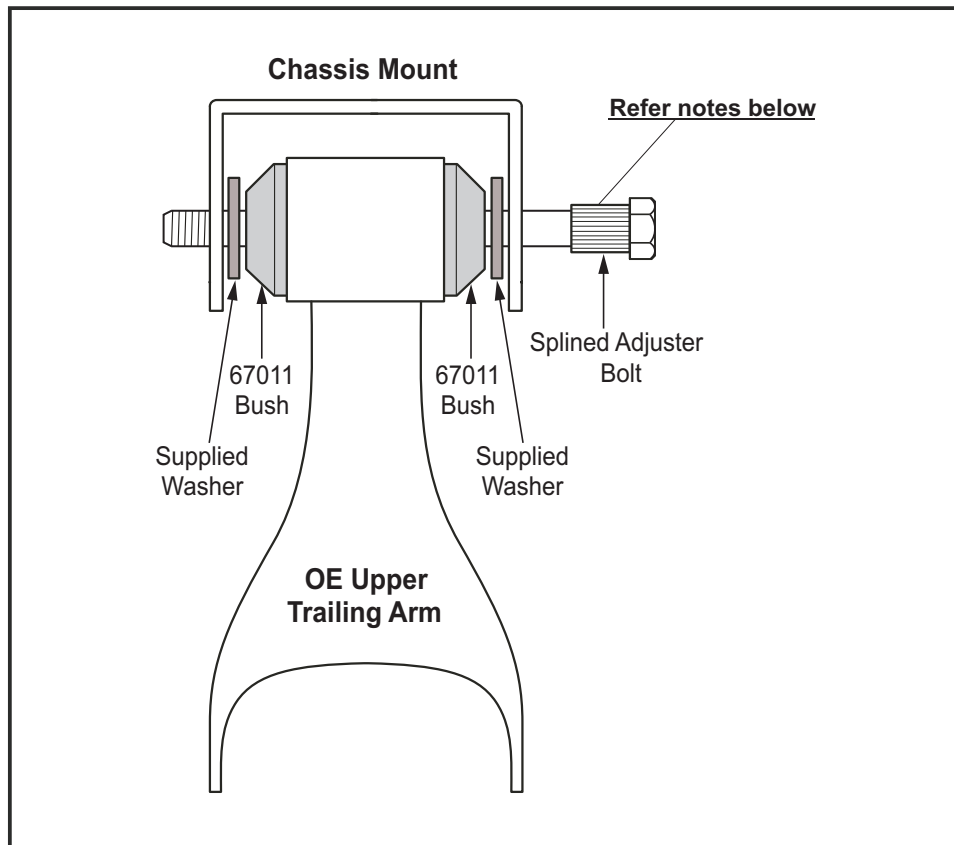
Z 5020

### Rear Upper Trailing Arm Pinion Angle Adjustable Bush

Suits: Ford Mustang 05 - 08

(Always refer to the current catalogue for complete application listings)

N.B: This installation guide should be used in conjunction with the workshop manual.  
All fastener torque settings should be adhered to.



Note: 1. Use supplied **Non-Nyloc** Nut to pull Splined Adjuster Bolt into offset Crush Tube and discard.

2. Use Splined Bolt to adjust Pinion angle to desired adjustment and lock up with **Nyloc Nut**.

N.B: It is recommended that a licenced workshop or trades person carry out the above procedure and that workshop manual and relevant safety procedures are followed in addition to the above.

## Installation Guide

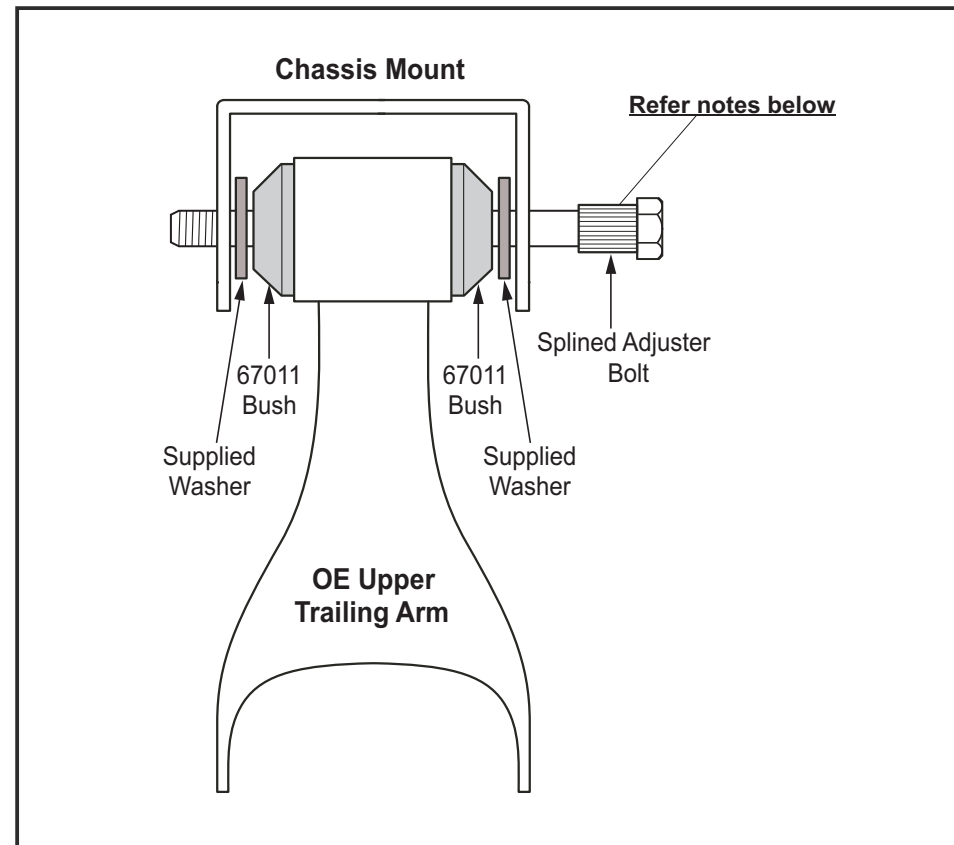
Z 5020

### Rear Upper Trailing Arm Pinion Angle Adjustable Bush

Suits: Ford Mustang 05 - 08

(Always refer to the current catalogue for complete application listings)

N.B: This installation guide should be used in conjunction with the workshop manual.  
All fastener torque settings should be adhered to.



Note: 1. Use supplied **Non-Nyloc** Nut to pull Splined Adjuster Bolt into offset Crush Tube and discard.

2. Use Splined Bolt to adjust Pinion angle to desired adjustment and lock up with **Nyloc Nut**.

N.B: It is recommended that a licenced workshop or trades person carry out the above procedure and that workshop manual and relevant safety procedures are followed in addition to the above.