

Installation Guide

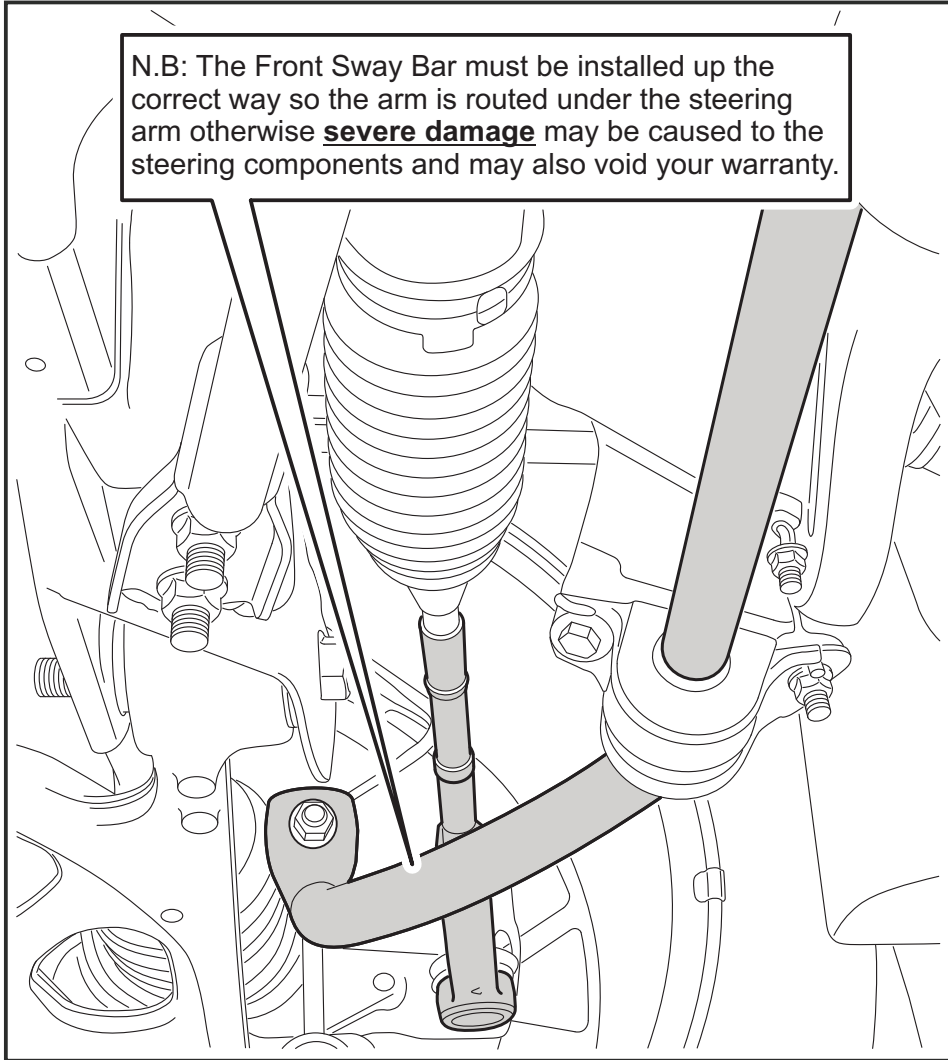
Front Subaru Sway Bar

Z 5022

(Always refer to the current catalogue for complete application listings)

N.B: This installation guide should be used in conjunction with the workshop manual.
All fastener torque settings should be adhered to.

N.B: The Front Sway Bar must be installed up the correct way so the arm is routed under the steering arm otherwise **severe damage** may be caused to the steering components and may also void your warranty.



N.B: It is recommended that a licenced workshop or trades person carry out the above procedure and that workshop manual and relevant safety procedures are followed in addition to the above.

Installation Guide

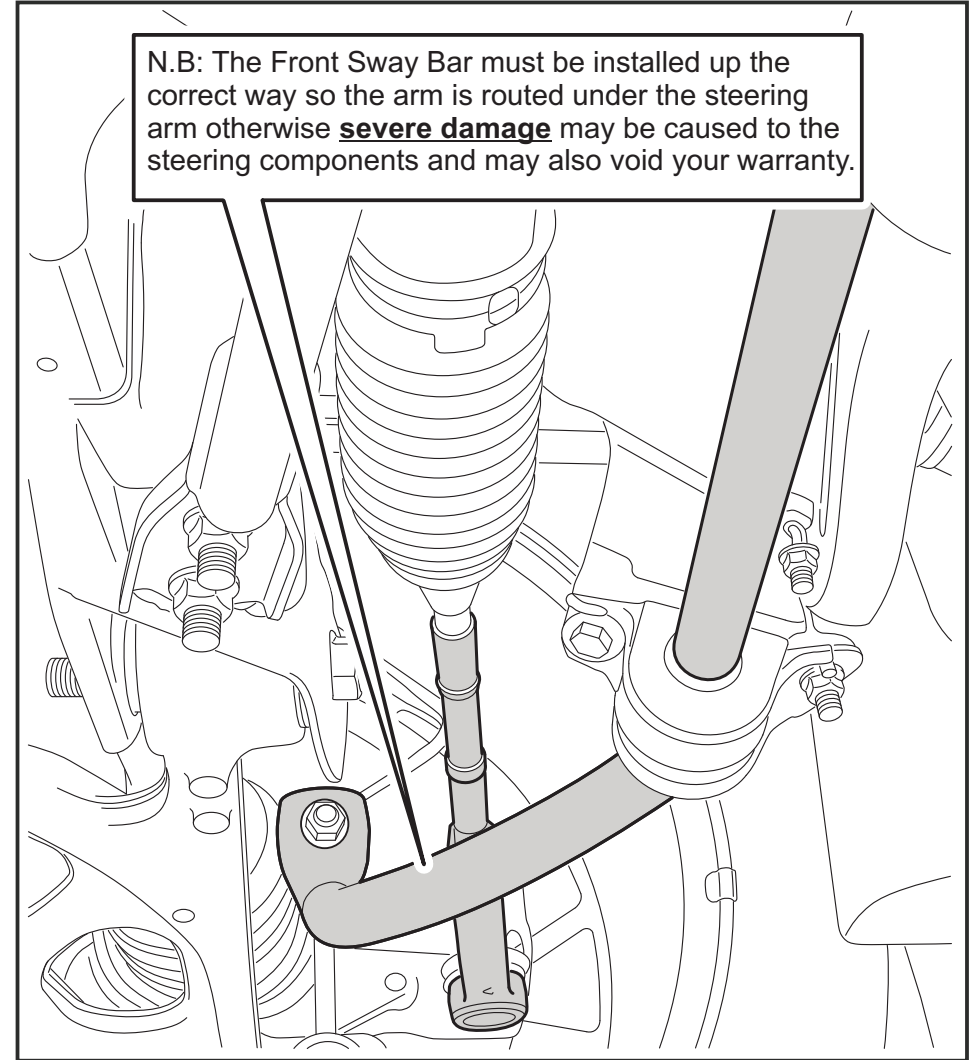
Front Subaru Sway Bar

Z 5022

(Always refer to the current catalogue for complete application listings)

N.B: This installation guide should be used in conjunction with the workshop manual.
All fastener torque settings should be adhered to.

N.B: The Front Sway Bar must be installed up the correct way so the arm is routed under the steering arm otherwise **severe damage** may be caused to the steering components and may also void your warranty.



N.B: It is recommended that a licenced workshop or trades person carry out the above procedure and that workshop manual and relevant safety procedures are followed in addition to the above.