

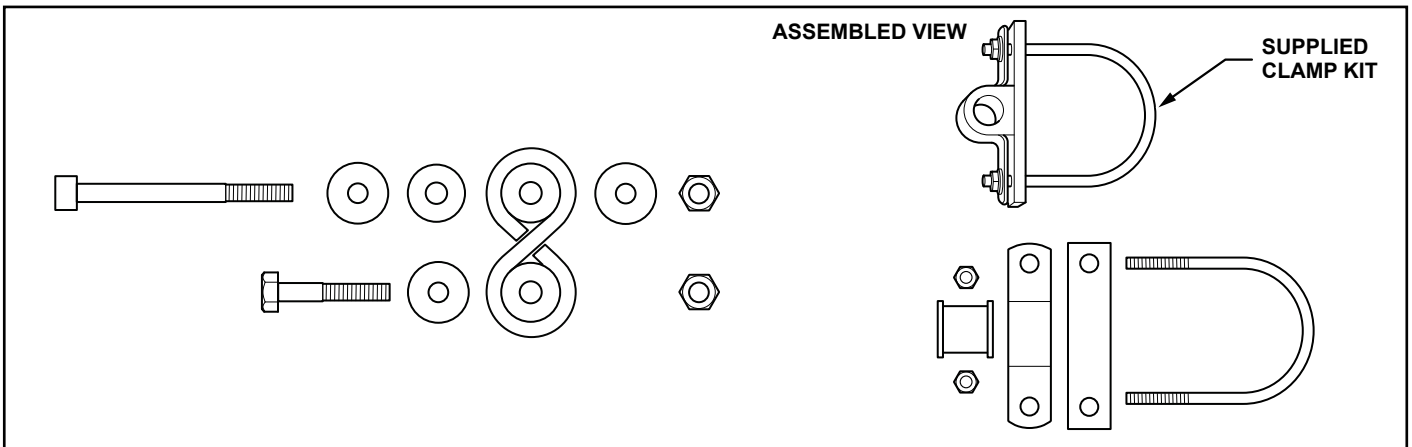
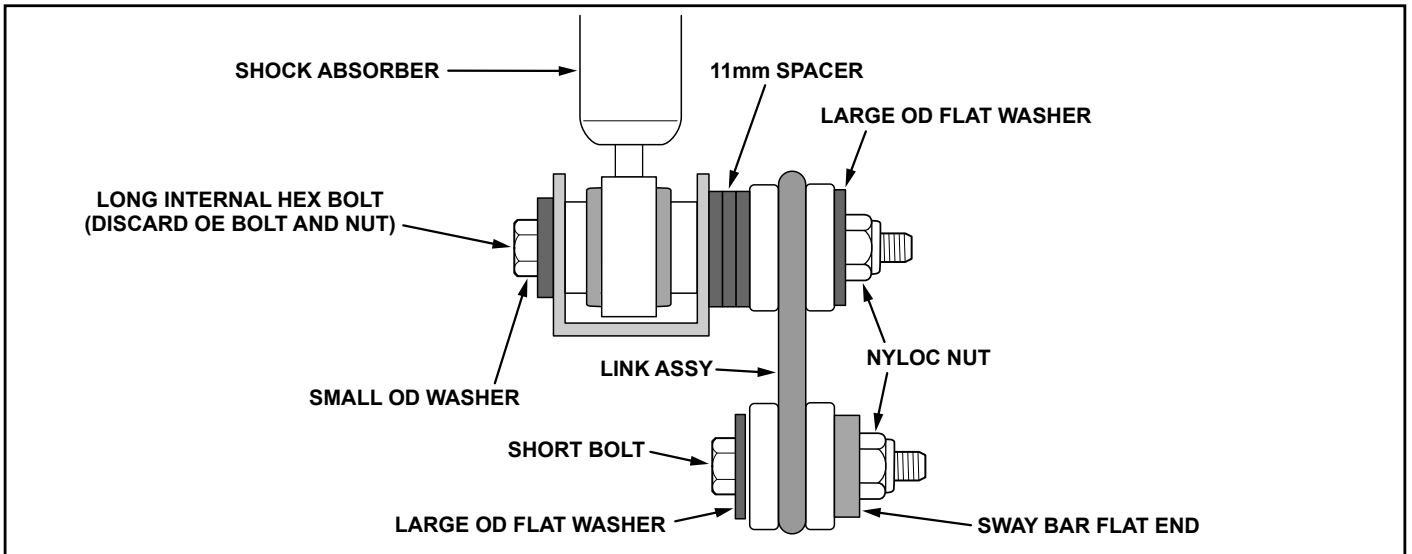
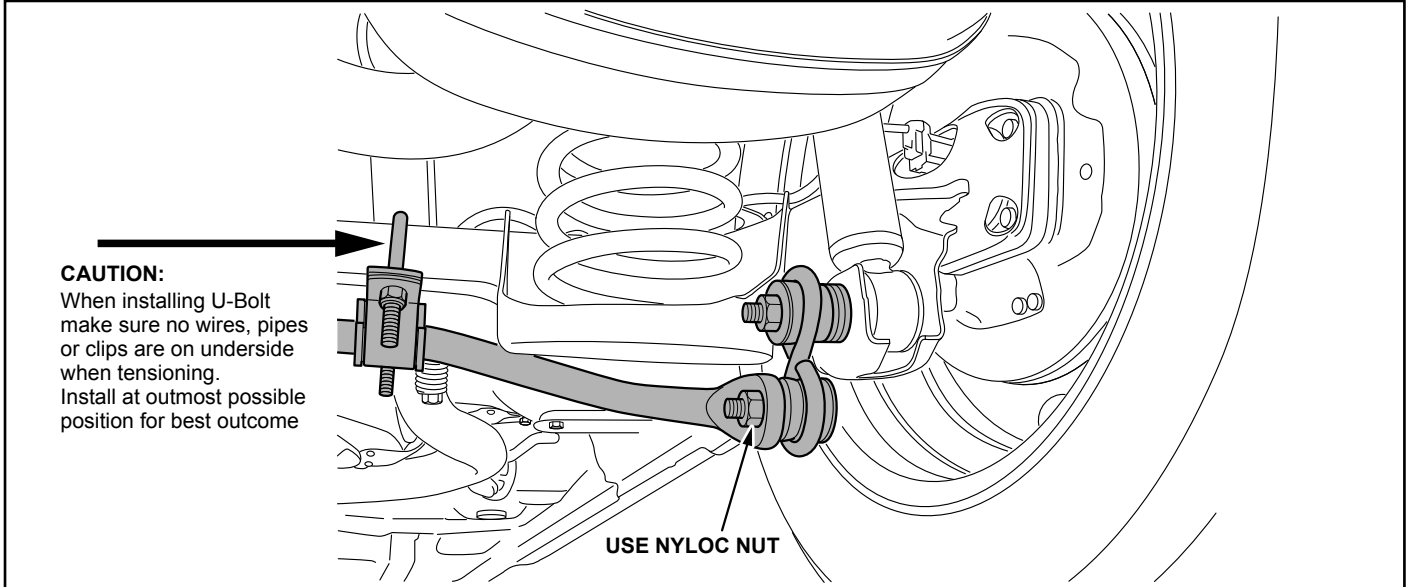
# Installation Guide

## Adjustable Rear Sway Bar

### Suits: Toyota Yaris - 06/on

(Always refer to the current catalogue for complete application listings)

N.B: This installation guide should be used in conjunction with the workshop manual



N.B: It is recommended that a licenced workshop or trades person carry out the above procedure and that workshop manual and relevant safety procedures are followed in addition to the above.