

Installation Guide

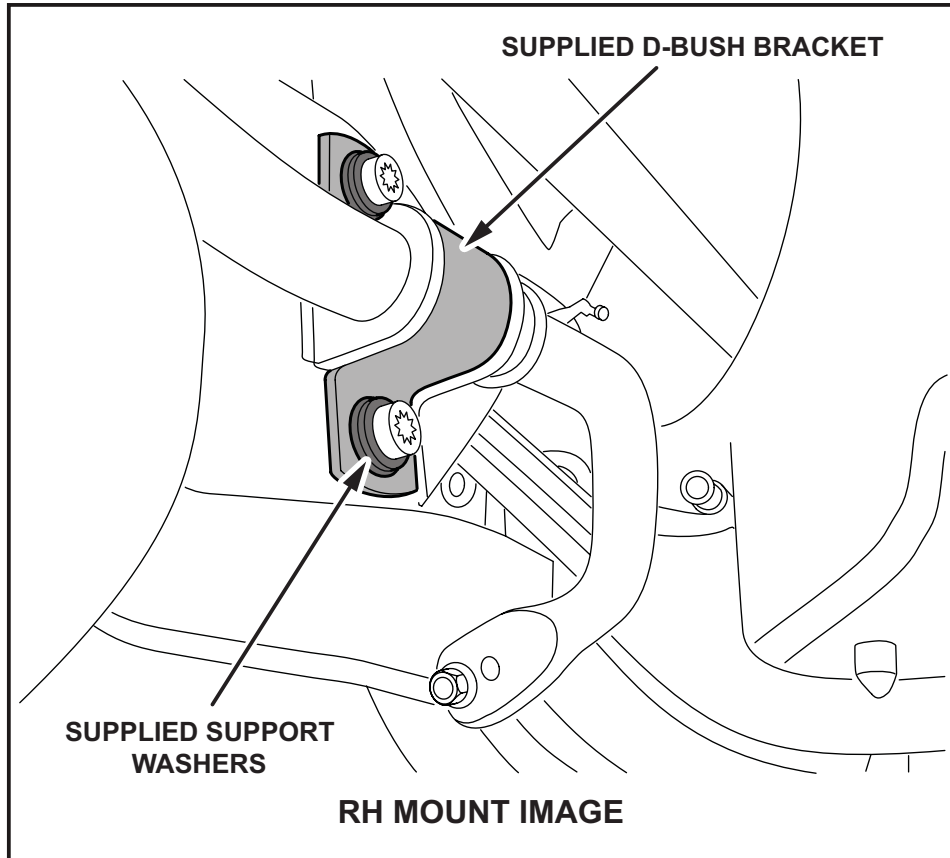
Z 5069

Rear Sway Bar

Suits: Golf MK5 FWD & R32 AWD 04/ on, Audi S3 AWD

(Always refer to the current catalogue for complete application listings)

N.B: These instructions should be used in conjunction with the workshop manual



N.B: It is recommended that a licenced workshop or trades person carry out the above procedure and that workshop manual and relevant safety procedures are followed in addition to the above.

Installation Guide

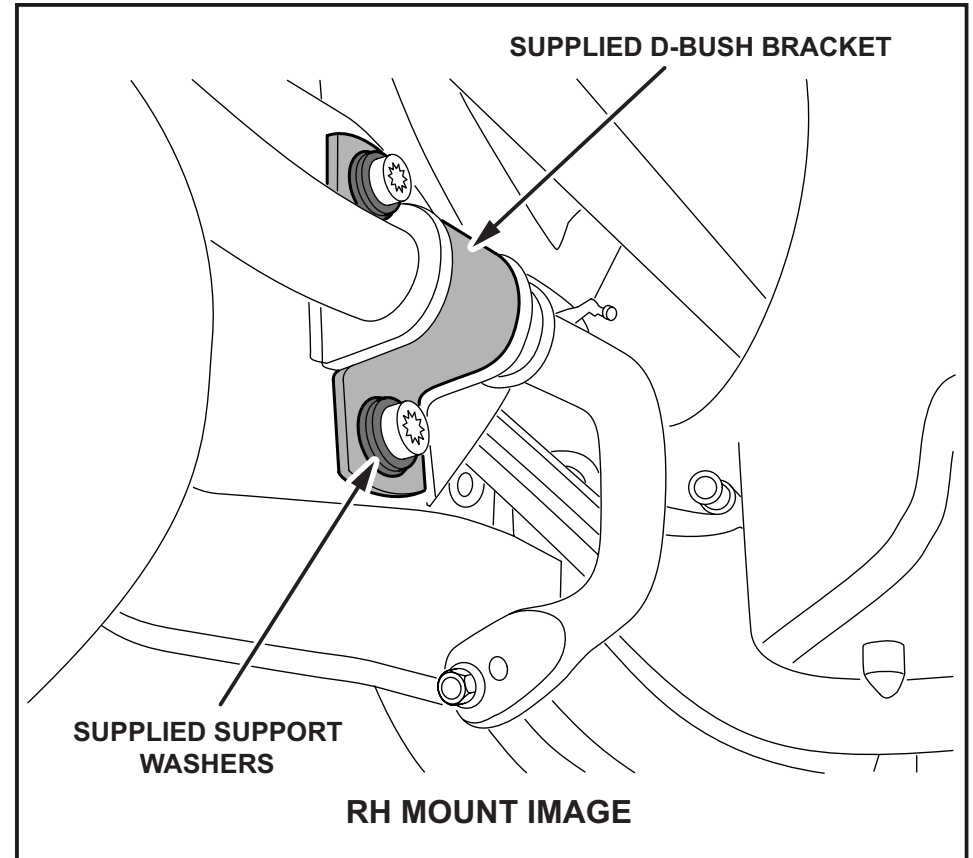
Z 5069

Rear Sway Bar

Suits: Golf MK5 FWD & R32 AWD 04/ on, Audi S3 AWD

(Always refer to the current catalogue for complete application listings)

N.B: These instructions should be used in conjunction with the workshop manual



N.B: It is recommended that a licenced workshop or trades person carry out the above procedure and that workshop manual and relevant safety procedures are followed in addition to the above.