

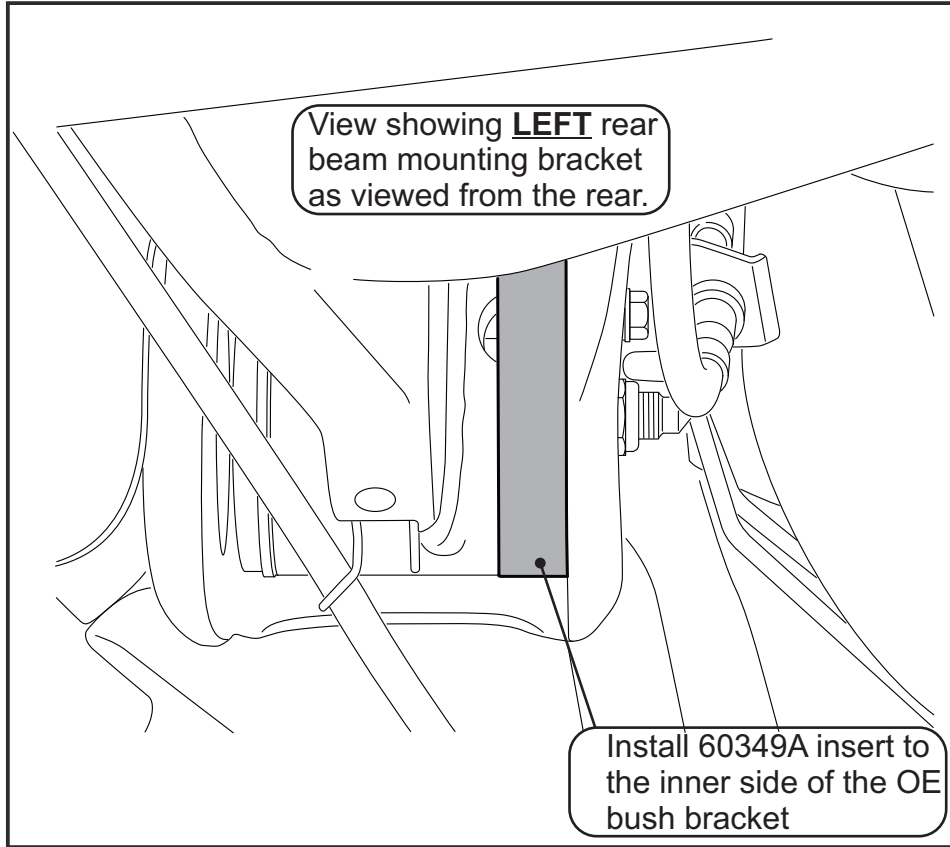
Installation Guide Bush kit - Beam axle lateral lock

Z 5070

Suits: VW Polo Mk4

(Always refer to the current catalogue for complete application listings)

N.B: This installation guide should be used in conjunction with the workshop manual.



1. Raise the vehicle and support on chassis stands.
 2. Support the rear suspension beam with a suitable lifting device.
 3. Remove the rear beam axle retaining nut and bolt from both sides and lower the rear beam down until there is sufficient room to slide the 60349A locking insert over the end of the oe bush tube.
- NOTE: Ensure the rear beam does not hang on the flexible brake line hose.**
4. Using the grease supplied, apply a liberal amount of grease to bush running surfaces and install.
 5. Re- fit the rear beam into the mounting bracket and re-install the bolt.
 6. Lower the vehicle and torque up the rear beam axle bolt at normal ride height.

N.B: It is recommended that a licenced workshop or trades person carry out the above procedure and that workshop manual and relevant safety procedures are followed in addition to the above.

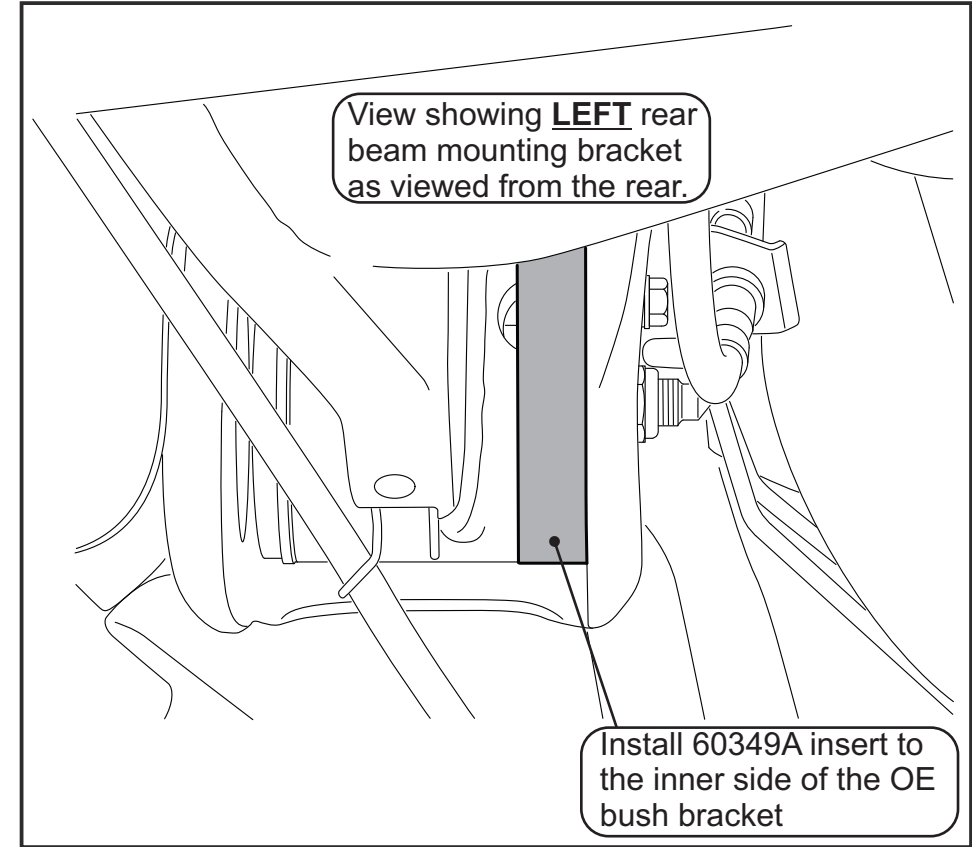
Installation Guide Bush kit - Beam axle lateral lock

Z 5070

Suits: VW Polo Mk4

(Always refer to the current catalogue for complete application listings)

N.B: This installation guide should be used in conjunction with the workshop manual.



1. Raise the vehicle and support on chassis stands.
 2. Support the rear suspension beam with a suitable lifting device.
 3. Remove the rear beam axle retaining nut and bolt from both sides and lower the rear beam down until there is sufficient room to slide the 60349A locking insert over the end of the oe bush tube.
- NOTE: Ensure the rear beam does not hang on the flexible brake line hose.**
4. Using the grease supplied, apply a liberal amount of grease to bush running surfaces and install.
 5. Re- fit the rear beam into the mounting bracket and re-install the bolt.
 6. Lower the vehicle and torque up the rear beam axle bolt at normal ride height.

N.B: It is recommended that a licenced workshop or trades person carry out the above procedure and that workshop manual and relevant safety procedures are followed in addition to the above.