

Installation Guide

Front Radius Rod Bush

Suits: Chrysler 300c-Magnum

50-5567

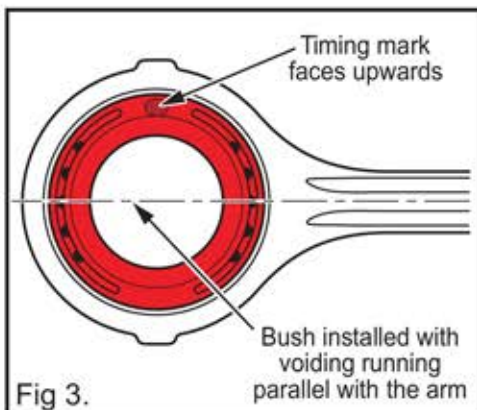
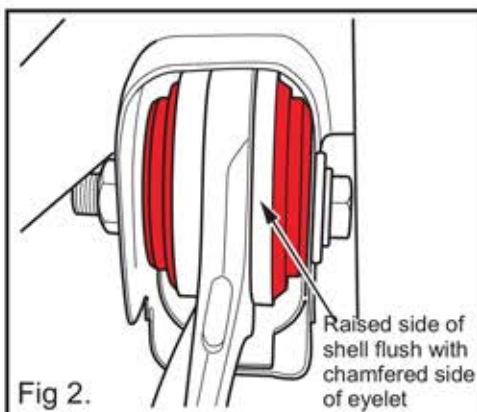
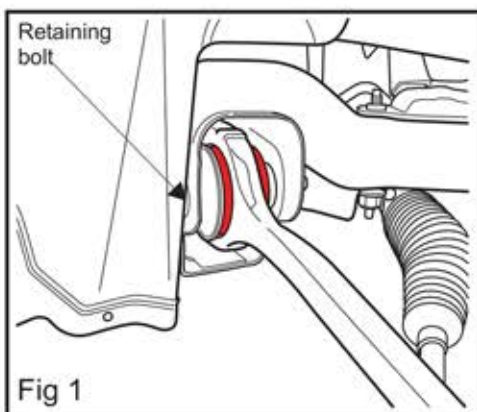
(Always refer to the current catalogue for complete application listings)

N.B: This installation guide should be used in conjunction with the workshop manual.

Contents:

2 x Replacement Bushes 5567
2 x Crush Tubes

1 x Fitting Instructions
1 x Grease Satchel



1. Raise the front of the vehicle and support on chassis stands.
2. Remove the front retaining bolt and using a suitable ball joint puller remove the ball joint from the housing.
3. Remove the radius rod (Fig 1) from the vehicle.
4. Using a suitable press and tools, press the bush out of the radius arm and discard.
5. Ensure all sharp edges, burrs; rust and paint are removed from the mounting flange face. Repair or replace as necessary.
6. Install the replacement 5567 Radius arm bushes into the arm by pressing the bush gently until it seats against the step in the outer shell (Fig 2) with the timing mark pointing upwards and so the voiding runs parallel with the arm (Fig 3)
7. Lubricate (with the grease supplied) the bore and end faces of the bush and fit the supplied crush tube.
8. Reinstall the radius arm into the mount.
9. Refit retaining bolt and ball joint nut and torque to manufactures specifications.
10. Lower the vehicle and carry out the wheel alignment.
11. Road test vehicle.

N.B: It is recommended that a licenced workshop or trades person carry out the above procedure and that workshop manual and relevant safety procedures are followed in addition to the above.